

# ST Silencer

No. 910-12



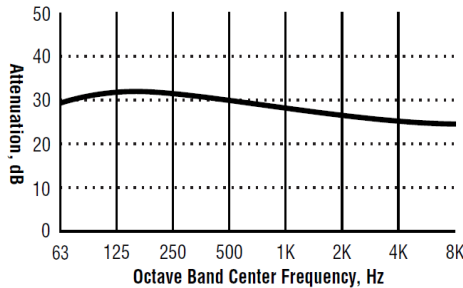
**Commercial Acoustics**  
5960 W. WASHINGTON STREET  
PHOENIX, ARIZONA 85043-3523  
(602) 233-2322 FAX 233-2033

A DIVISION OF METAL FORM MANUFACTURING

## ENGINEERING DATA

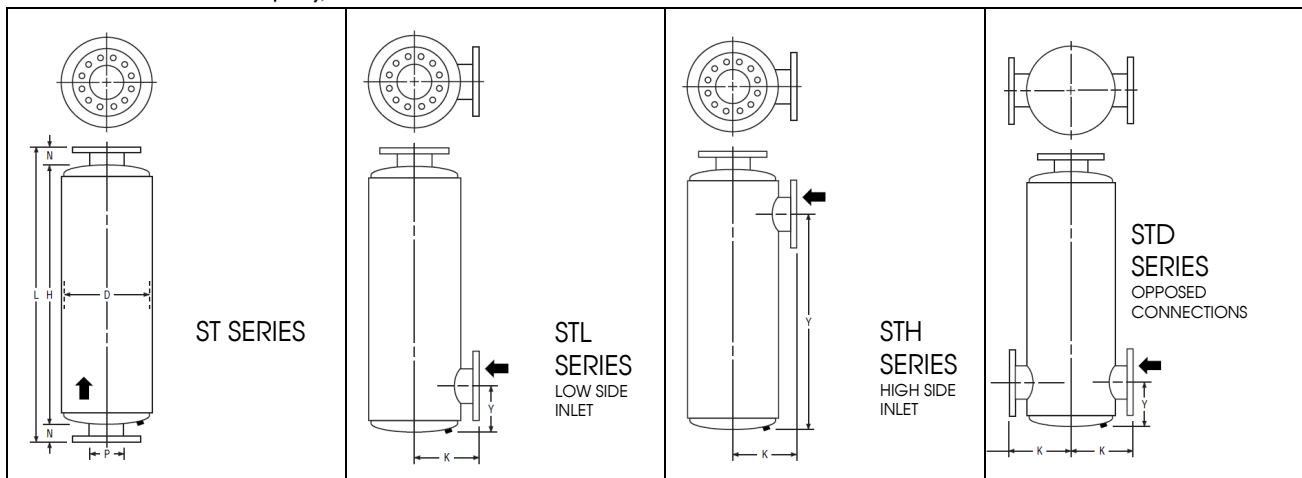
Supersedes No. 910-97

### Typical Attenuation Curve



## TYPE ST COMBINATION CHAMBER-ABSORPTIVE TYPE DISCHARGE SILENCER

The ST Series Discharge Silencer is a heavy-duty, all welded unit constructed of carbon steel sheet and plate. It provides pulse control and silencing adequate for most sub-critical PLV applications. Sizes 4" and larger are equipped with flange connections drilled to 125/150 lb. ANSI specifications. Smaller sizes are standard with male threaded pipe nipples. Exterior surfaces receive a shop coat of rust inhibitive primer and may be finished painted in the field if desired. The ST Series is the basic end inlet/end outlet configuration. A low side inlet version is designated STLL Series; high side inlet, STH Series; and low opposed connections, STD Series. The two types are fundamentally alike and performance is identical. Mounting brackets and other options are available. Acoustical packing is suitable for 325°F.



## DIMENSIONS IN INCHES, WEIGHT IN POUNDS

P (SIZE)	D	L	N	H	K	STL		STD		STH		WGT.
						MIN.	MAX.	MIN.	MAX.	MIN.	MAX.	
1	4 1/2	21	2	17	-	-	-	-	-	-	-	10
1 1/2	6 1/2	24	2	20	-	-	-	-	-	-	-	15
2	8	33	3	27	7	FIXED AT 6		-	-	-	-	20
2 1/2	10	34	3	28	8	FIXED AT 7		-	-	-	-	30
3	10	46	3	40	8	FIXED AT 7		-	-	-	-	40
3 1/2	12	52	3	46	9	FIXED AT 8		-	-	-	-	55
4	14	53	3	47	10	6	22	8	16	-	-	70
5	16	65	3	59	11	6 1/2	29	9	19	-	-	120
6	18	72	3	66	12	8	32	10	22	-	-	160
8	22	97	3 1/2	90	14 1/2	9	48	12	29	62	82	370
10	26	122	3 1/2	115	16 1/2	11	63 1/2	14	40 1/2	76 1/2	106	550
12	28	135	3 1/2	128	18 1/2	12 1/2	69	15 1/2	42	88	117 1/2	800
14	36	161	3 1/2	154	21 1/2	14 1/2	81	17 1/2	49	107	141	1,250
16	42	181	3 1/2	174	24 1/2	16 1/2	92 1/2	19 1/2	55 1/2	119 1/2	158 1/2	1,600
18	48	188	3 1/2	181	27 1/2	18 1/2	98	21 1/2	56 1/2	126 1/2	164 1/2	2,300
20	48	202	4 1/2	193	28 1/2	19 1/2	103	22 1/2	61	134	175 1/2	2,500
22	54	204	4 1/2	195	31 1/2	21 1/2	103	24 1/2	60	137	175 1/2	2,950
24	54	239	4 1/2	230	31 1/2	22 1/2	126	25 1/2	76 1/2	126 1/2	210 1/2	3,450
26	60	259	4 1/2	250	34 1/2	25	132	27	78	175	228	4,400
28	66	279	4 1/2	270	37 1/2	27	144	31	85	188	246	6,150
30	72	304	4 1/2	295	40 1/2	29	161	32	96	203	272	7,250

NOTE: Dimensions and weights are nominal and may vary slightly with production models. Request certified drawings of specific models for exact dimensions

**WE RESERVE THE RIGHT TO IMPROVE DESIGN AND SPECIFICATIONS AT ANY TIME WITHOUT NOTICE. ©COPYRIGHT, 2012**