

S Silencer

No. 908-12



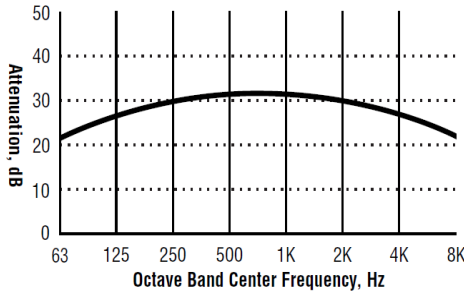
Commercial Acoustics
5960 W. WASHINGTON STREET
PHOENIX, ARIZONA 85043-3523
(602) 233-2322 FAX 233-2033

A DIVISION OF METAL FORM MANUFACTURING

ENGINEERING DATA

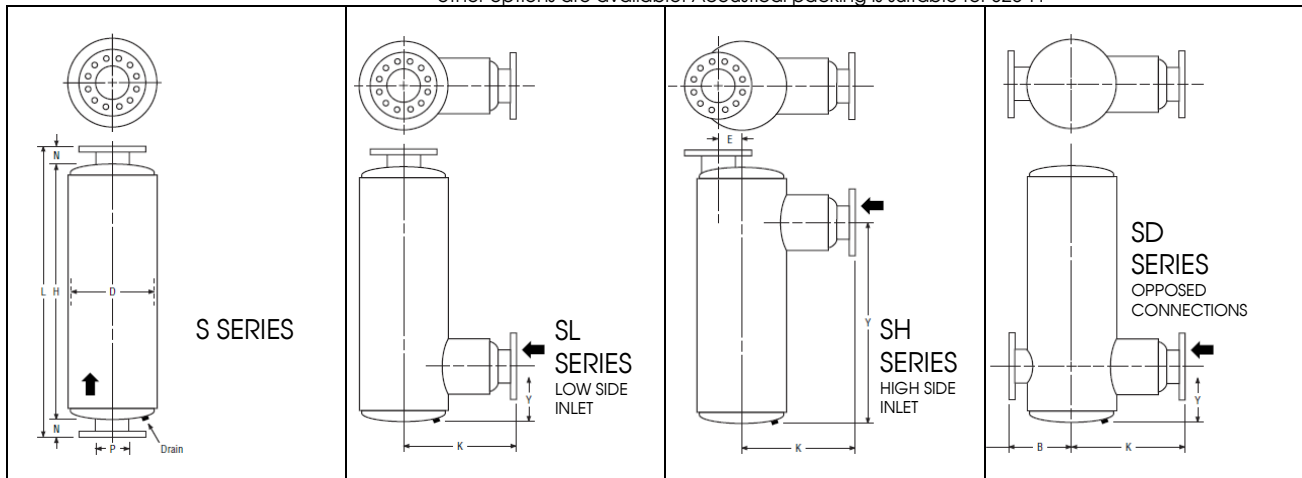
Supersedes No. 908-97

Typical Attenuation Curve



TYPE S COMBINATION CHAMBER-ABSORPTIVE TYPE DISCHARGE SILENCER

The S Series Discharge Silencer is a heavy-duty, all welded unit constructed of carbon steel sheet and plate. It will provide good pulse control and is equipped with an acoustically treated inlet for use on critical PLV applications. Its pulse and noise performance is suitable for all but the most demanding applications, which may require the D Series. Sizes 4" and larger are equipped with flanged connections drilled to 125/150 lb. ANSI specifications. Smaller sizes are standard with male threaded pipe nipples. Exterior surfaces receive a shop coat of rust inhibitive primer and may be finished painted in the field if desired. The S Series is the basic end inlet/end outlet configuration. A low side inlet is designated SL Series; high side inlet, SH Series; and low opposed connections, SD Series. The four types are fundamentally alike and performance is identical. Mounting brackets and other options are available. Acoustical packing is suitable for 325°F.



DIMENSIONS IN INCHES, WEIGHT IN POUNDS

P (SIZE)	D	L	N	H	K			B	E	Y						WGT.
					SL	SH	SD			SL		SD		SH		
										MIN.	MAX.	MIN.	MAX.	MIN.	MAX.	
1 1 1/2 2	6	28 1/2	3	22 1/2	8 1/2	-	-	-	-	FIXED AT 6						15
2 1/2 3 3 1/2	8 8 10	33 39 39 1/2	3 3 3	27 33 33 1/2	9 10 11	-	-	-	-	FIXED AT 7 FIXED AT 7 FIXED AT 8						25 30 40
4 5 6	10 12 14	45 57 1/2 64	3 3 3	39 51 1/2 58	12 1/2 15 1/2 17	14 1/2 17 1/2 20	14 1/2 17 1/2 20	8 9 10	2 1/2 2 3/4 3 1/4	7 1/2 9 9	16 1/2 23 25 1/2	7 1/2 9 10	9 1/2 12 1/2 15 1/2	30 1/2 40 43 1/2	32 1/2 43 1/2 49	50 80 110
8 10 12	18 22 26	72 85 98	3 1/2 3 1/2 3 1/2	65 78 91	21 1/2 25 1/2 29 1/2	26 1/2 32 1/2 38	26 1/2 32 1/2 38	12 1/2 14 1/2 16 1/2	4 5 6	12 13 1/2 15	30 1/2 37 34	12 13 1/2 15	16 1/2 18 24	49 1/2 61 1/2 69	54 65 1/2 77	190 380 550
14 16 18	30 36 42	111 137 150	3 1/2 3 1/2 3 1/2	104 130 143	30 35 1/2 41	40 47 52	40 47 52	18 1/2 21 1/2 24 1/2	7 1/2 9 1/2 11 1/2	16 1/2 18 1/2 20 1/2	50 65 70 1/2	16 1/2 18 1/2 20 1/2	25 36 40 1/2	81 96 104 1/2	89 1/2 113 1/2 124 1/2	800 1,250 1,600
20 22 24	42 48 48	176 195 213	4 1/2 4 1/2 4 1/2	167 186 204	47 47 55 1/2	62 61 72	62 61 72	25 1/2 28 1/2 28 1/2	10 1/2 12 1/2 11 1/2	21 1/2 23 1/2 24 1/2	87 1/2 93 1/2 110 1/2	21 1/2 23 1/2 24 1/2	48 1/2 50 1/2 60 1/2	120 1/2 138 1/2 146 1/2	147 1/2 165 1/2 182 1/2	1,900 2,700 3,000
26 28 30	54 54 60	233 250 276	4 1/2 4 1/2 4 1/2	224 241 267	55 62 68	76 81 90	76 81 90	31 1/2 31 1/2 34 1/2	13 1/2 12 1/2 14 1/2	26 28 1/2 29 1/2	117 126 1/2 139	26 28 1/2 29 1/2	70 71 1/2 81	157 1/2 173 1/2 190	201 1/2 216 1/2 241 1/2	3,900 4,400 5,400

NOTE: Dimensions and weights are nominal and may vary slightly with production models. Request certified drawings of specific models for exact dimensions

WE RESERVE THE RIGHT TO IMPROVE DESIGN AND SPECIFICATIONS AT ANY TIME WITHOUT NOTICE. ©COPYRIGHT, 2012