

RPB Silencer

No. 905-12



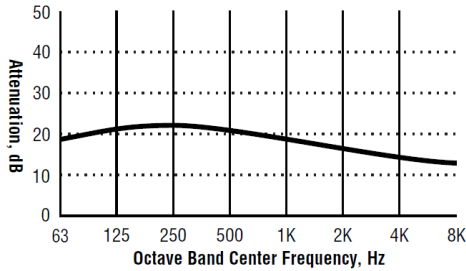
Commercial Acoustics
5960 W. WASHINGTON STREET
PHOENIX, ARIZONA 85043-3523
(602) 233-2322 FAX 233-2033

A DIVISION OF METAL FORM MANUFACTURING

ENGINEERING DATA

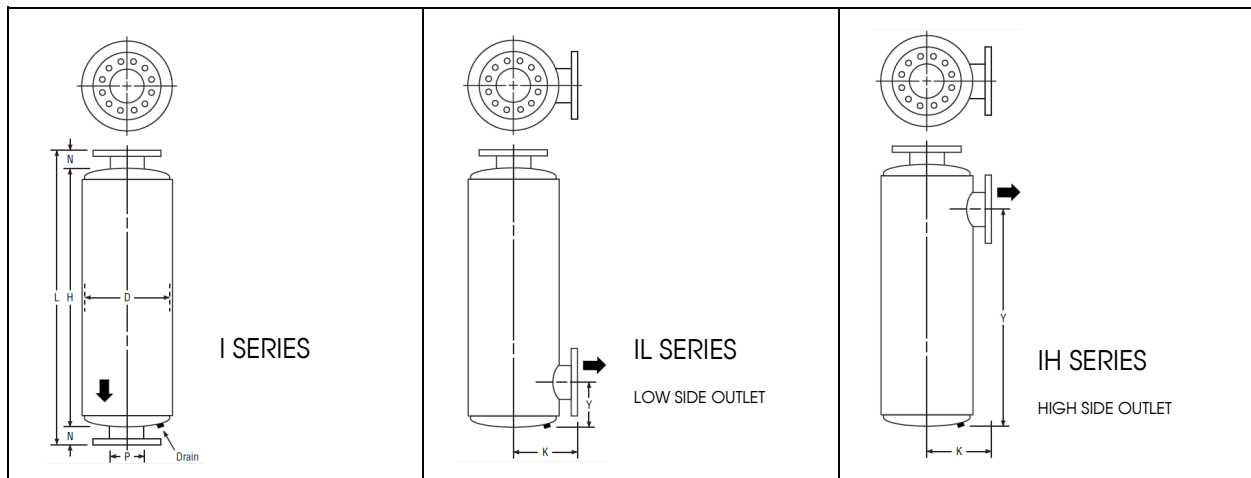
Supersedes No. 905-97

Typical Attenuation Curve



TYPE I CHAMBER INLET TYPE SILENCER

The I Series Inlet Silencer is a heavy-duty, all welded unit constructed of carbon steel sheet and plate. It provides pulse control and adequate silencing for most sub-critical PLV applications. Sizes 8" and larger are equipped with flanged connections drilled to 125/150 lb. ANSI specifications. Exterior surfaces receive a shop coat of rust inhibitive primer and may be finished painted in the field if desired. The I Series is the basic model and is the conventional end inlet/end outlet version. The low side inlet model is designated IL Series and the high side inlet type is designated IH Series. The three types are fundamentally alike and performance is identical. Mounting brackets and other options are available.



DIMENSIONS IN INCHES, WEIGHT IN POUNDS

P (SIZE)	D	L	N	H	K	Y				WGT.
						IL		IH		
						MIN.	MAX.	MIN.	MAX.	
1 1 1/2 2										
2 1/2 3 3 1/2					SIZES 1"-6" USE ST SERIES					
4 5 6										
8	22	61	3 1/2	54	14 1/2	9	21	28 1/2	45 1/2	250
10	26	74	3 1/2	67	16 1/2	11	27	34 1/2	57	360
12	30	87	3 1/2	80	18 1/2	12 1/2	34	41	69	550
14	30	99	3 1/2	92	18 1/2	13 1/2	40	47 1/2	80 1/2	650
16	36	113	3 1/2	106	21 1/2	15 1/2	48	53 1/2	91 1/2	950
18	42	140	4 1/2	131	25 1/2	19	60 1/2	67	114	1,350
20	42	140	4 1/2	131	25 1/2	19	60 1/2	67	114	1,350
22	48	153	4 1/2	144	28 1/2	20 1/2	66 1/2	75	126	1,950
24	54	167	4 1/2	158	31 1/2	22 1/2	72	83	138	2,500
26	54	179	4 1/2	170	31 1/2	23 1/2	85	84	149	2,750
28	60	193	4 1/2	184	34 1/2	25 1/2	87	91	161	4,650
30	66	206	4 1/2	197	37 1/2	27 1/2	95	100	173	4,650

NOTE: Dimensions and weights are nominal and may vary slightly with production models. Request certified drawings of specific models for exact dimensions

WE RESERVE THE RIGHT TO IMPROVE DESIGN AND SPECIFICATIONS AT ANY TIME WITHOUT NOTICE. ©COPYRIGHT, 2012