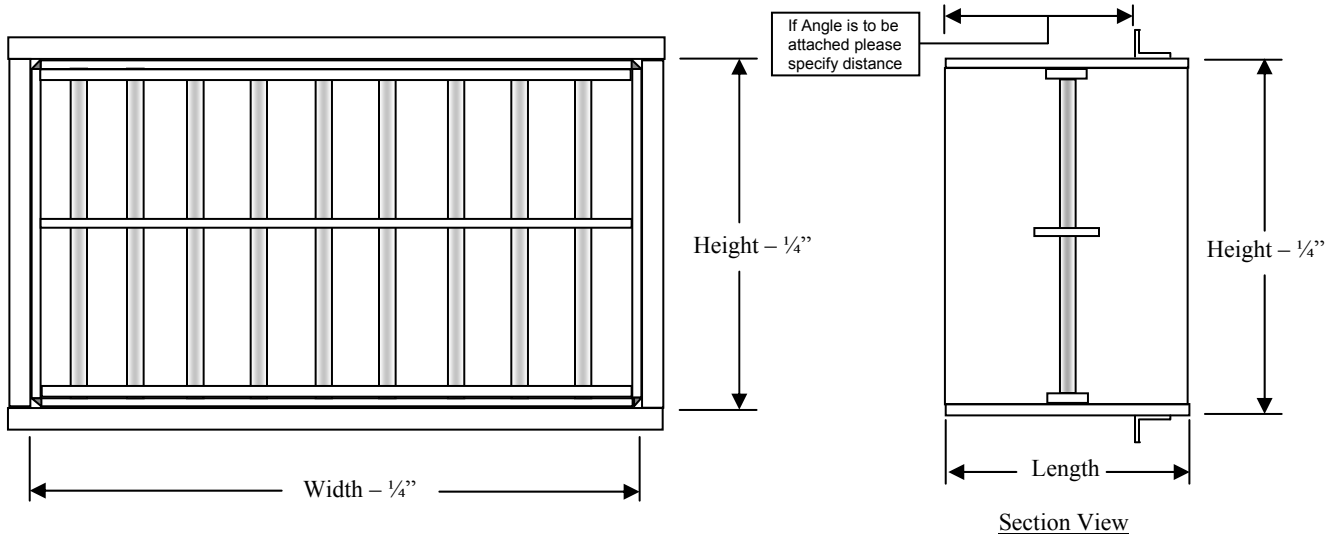




METAL FORM MANUFACTURING CO., INC  
 5960 WEST WASHINGTON STREET  
 PHOENIX, ARIZONA 85043  
 TELEPHONE: 602-233-1211 FAX: 602-233-2033  
 WEBSITE ADDRESS: WWW.MFMCA.COM

# Model MFX-97 Tool Resistant Security Barrier



## Standard Specifications

- Perimeter Sleeve:** 1/8" CR Steel, corners continuously welded, Please Specify Length
- Horizontal Bars:** 1" x 3/16" CR Steel Flat Bar, approximately 12" OC, continuously welded to perimeter frame.
- Vertical Bars:** 1/2" diameter Tool Resistant round bars, approx. 6" OC, inserted into tool resisting steel blocks
- Perimeter Angle:** One (1) 1-1/2" x 1-1/2" x 1/8" HR Steel Frame, shipped loose. Angle can be welded in place. A second angle can also be provided, loose or welded
- Finish:** One coat MFM "Grey" primer
- Min. & Max Size:** 6" x 6" to 96" x 96" – Attach multiple sections to form larger sizes

## Options

- Shape:** Circular, Flat Oval
- Perimeter Sleeve:** 3/16", 1/4", 5/16" or 3/8" thick
- Horizontal Bars:** 1/4" or 3/8" thickness, 1-1/2", 2" or 2-1/2" width
- Horizontal Spacing:** 3" to 12" On Center
- Vertical Bars:** 3/4", 5/8", 7/8" or 1" diameter
- Vertical Spacing:** 3" to 12" On Center
- Perimeter Angle:** Size – 2", 2-1/2" or 3" Angle Material - 3/16" or 1/4" thickness
- Finish:** Epoxy Enamel or Thermal-setting Powder Coat, Color to be selected.

## SCHEDULE

Tag	Qty	Width or Diameter	Height	Sleeve Length	Vertical Bar Size & Spacing	Horizontal Bar Size & Spacing	Finish	Remarks

Note: Width x Height are nominal opening dimensions. Unless specified otherwise, units will be constructed 1/4" less.

Project: \_\_\_\_\_  
 Architect: \_\_\_\_\_  
 Engineer: \_\_\_\_\_  
 Contractor: \_\_\_\_\_

©2012 Metal Form Manufacturing Co., Inc.  
 Form No. X-9712  
 Metal Form reserves the right to improve design or change specifications at any time.