



Commercial Acoustics
 5960 W. WASHINGTON STREET
 PHOENIX, ARIZONA 85043-3523
 (602) 233-2322 FAX 233-2033

A DIVISION OF METAL FORM MANUFACTURING

Model MFLA-12-36-R

Fabricated Acoustical Louver

12" Deep Plain Blade

Specifications

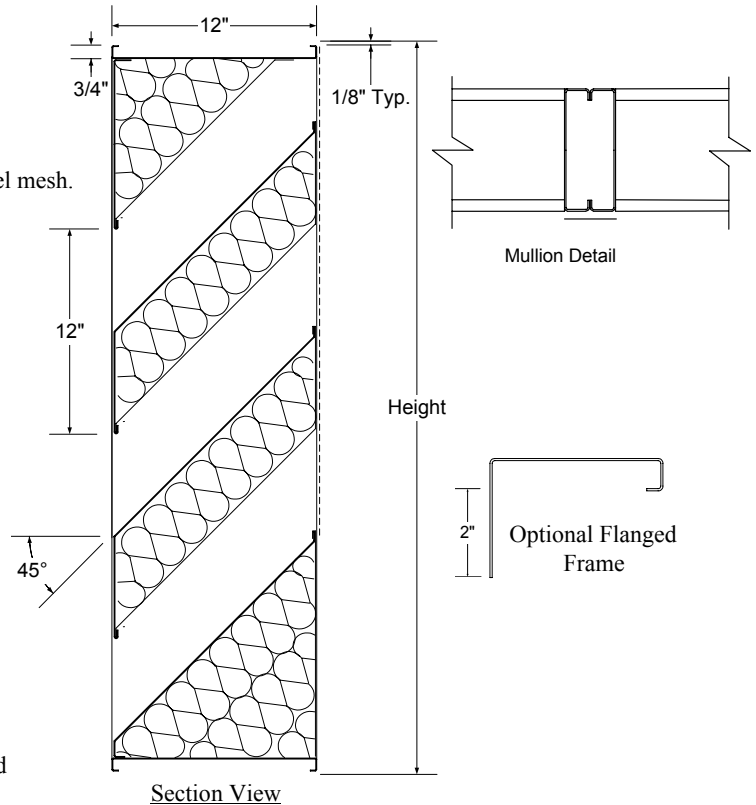
- Frame:** 18ga. galvanized channel frame.
- Blades:** 18ga. galvanized steel / 22ga. galvanized perforated liner.
- Insulation:** 2 lb. density fiberglass.
- Screen:** 1/2" x 1/2" x 19ga. galvanized steel mesh.
- Finish:** Standard mill.
- Minimum size:** 12"w x 24"h.
- Maximum size:** 72"w x 120"h.
- Multiple section - unlimited size.**

Options

- Flanged frame.
- Sill extension.
- Sleeves.
- Sub frame (requires flanged louver).
- Screens - Many variations of screens are available, consult factory.
- Finishes - Many types of finishes are available, consult factory.
- Other options available, consult factory.

Notes

1. Width x height are nominal opening dimensions. Unless specified otherwise, units will be constructed 1/4" undersize.
2. Metal Form reserves the right to improve design or change specifications at any time.



Tag	Qty.	Width	Height	No. of Panels (W x H)	Options	Finishes/Specify	Remarks

Project: _____
Architect: _____
Engineer: _____
Contractor: _____

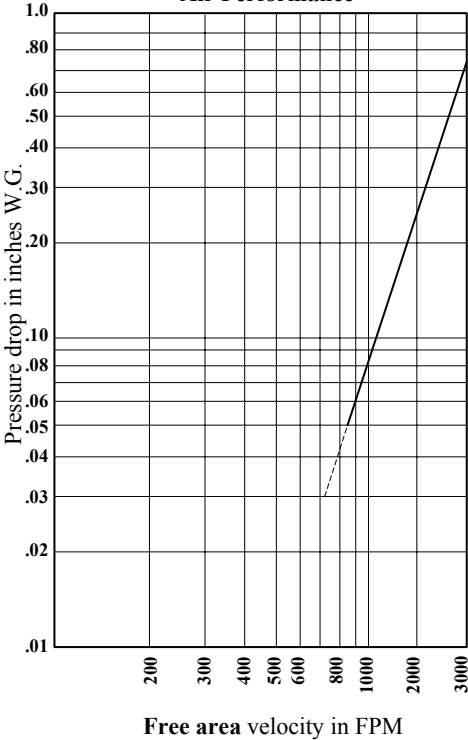
©May 2012 Metal Form Manufacturing Co., Inc.
 Form No. LA-12-36-R12
 Supersedes Form No. LA-12-3611

Refer to back page for performance data.

Model MFLA-12-36-R

Performance Data

Air Performance



Acoustical Performance

Octave Band/Freq. (Hz)	1/63	2/125	3/250	4/500	5/1k	6/2k	7/4k	8/8k
Transmission Loss (dB)	3	7	9	11	16	18	12	10
Noise Reduction (dB)	11	13	15	17	22	24	20	15

Aerodynamic Performance

PRESSURE LOSS, iwg	0.05	0.15	0.20	0.35	0.45	0.60	0.75	1.00
FACE VELOCITY, fpm	200	346	385	517	571	675	750	829

Test unit size 48" x 48"

Graphs are corrected to standard air density .075 lbs. per cubic foot.

Ratings do not include the effects of a bird screen.

Free Area Chart - Sq. Ft.

120	2.55	4.06	5.57	7.05	8.56	10.07	11.55	11.61	14.57	16.05	17.56
108	2.27	3.61	4.95	6.27	7.61	8.95	10.27	13.06	12.95	14.27	15.61
96	1.99	3.16	4.33	5.49	6.66	7.83	8.99	10.16	11.33	12.49	13.66
84	1.71	2.71	3.71	4.71	5.71	6.71	7.71	8.71	9.71	10.71	11.71
72	1.42	2.26	3.09	3.92	4.76	5.59	6.42	7.26	8.09	8.92	9.76
66	1.36	2.15	2.95	3.74	4.53	5.33	6.12	6.92	7.71	8.51	9.30
60	1.14	1.81	2.47	3.14	3.81	4.47	5.14	5.81	6.47	7.14	7.81
54	1.07	1.70	2.33	2.95	3.58	4.21	4.84	5.47	6.09	6.72	7.35
48	0.85	1.35	1.85	2.35	2.85	3.35	3.85	4.35	4.85	5.35	5.85
42	0.79	1.25	1.71	2.17	2.63	3.09	3.55	4.01	4.47	4.94	5.40
36	0.57	0.90	1.24	1.57	1.90	2.24	2.57	2.90	3.24	3.57	3.90
30	0.50	0.80	1.09	1.39	1.68	1.97	2.27	2.56	2.86	3.15	3.45
24	0.28	0.45	0.62	0.78	0.95	1.12	1.28	1.45	1.62	1.78	1.95
	12	18	24	30	36	42	48	54	60	66	72