



METAL FORM MANUFACTURING CO., INC
 5960 WEST WASHINGTON STREET
 PHOENIX, ARIZONA 85043
 TELEPHONE: 602-233-1211 FAX: 602-233-2033
 WEBSITE ADDRESS: WWW.MFMCA.COM

Model MFL-23DB Fabricated Stationary Louver 4" Deep Drainable Blade

Specifications

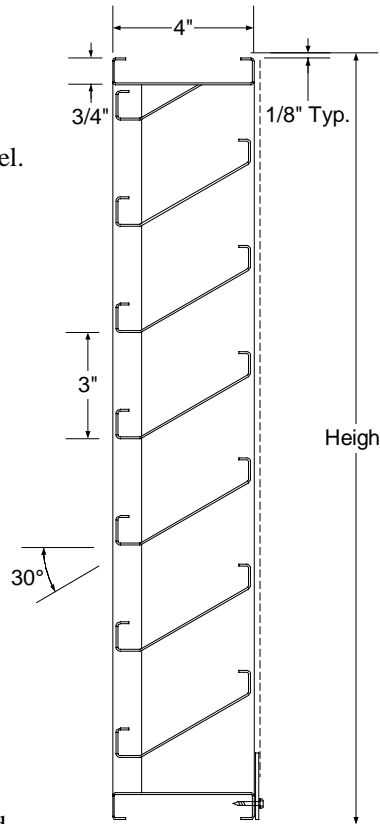
- Frame:** 18ga. galvanized steel channel frame.
- Blades:** 18ga. galvanized steel.
- Screen:** 1/2" x 1/2" x 19ga. galvanized steel.
- Finish:** Standard mill.
- Minimum size:** 12" w x 12" h.
- Maximum size:** 72" w x 96" h.
Multiple section - unlimited size.

Options

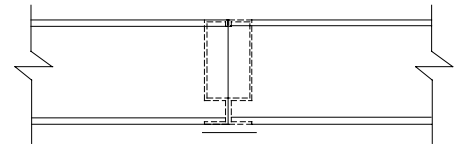
- Flanged frame.
- Sill extension.
- Sleeves.
- Sub frame (requires flanged louver).
- Screens - Many variations of screens are available, consult factory.
- Finishes - Many types of finishes are available, consult factory.
- Other options available, consult factory.

Notes

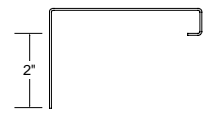
1. Width x height are nominal opening dimensions. Unless specified otherwise, units will be constructed 1/4" undersize.
2. Metal Form reserves the right to improve design or change specifications at any time.



Section View



Mullion Detail



Optional Flanged Frame

| Tag | Qty. | Width | Height | No. of Panels (W x H) | Options | Finishes/Specify | Remarks |
|-----|------|-------|--------|-----------------------|---------|------------------|---------|
| | | | | | | | |
| | | | | | | | |
| | | | | | | | |
| | | | | | | | |
| | | | | | | | |
| | | | | | | | |
| | | | | | | | |
| | | | | | | | |
| | | | | | | | |
| | | | | | | | |

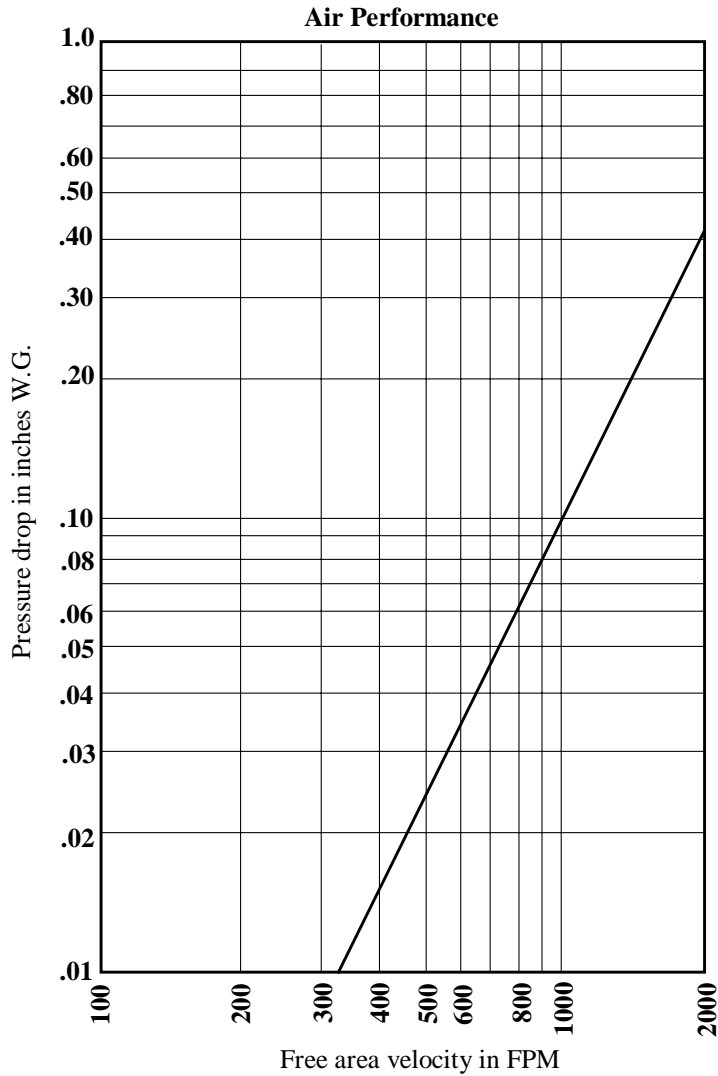
Project: _____
Architect: _____
Engineer: _____
Contractor: _____

©1998 Metal Form Manufacturing Co., Inc.
 Form No. L-23DB98

Refer to back page for performance data.

Model MFL-23DB

Performance Data



Test unit size 48" x 48"
 Graph is corrected to standard air density .075 lbs. per cubic feet.
 Ratings do not include the effects of a bird screen.

Free Area Chart - Sq. Ft.

| | | | | | | | | | | | |
|-----------|-----------|-----------|-----------|-----------|-----------|-----------|-----------|-----------|-----------|-----------|-----------|
| 96 | 3.74 | 5.95 | 8.16 | 10.38 | 12.59 | 14.81 | 17.02 | 19.23 | 21.45 | 23.66 | 25.88 |
| 90 | 3.49 | 5.57 | 7.64 | 9.71 | 11.78 | 13.85 | 15.92 | 17.99 | 20.06 | 22.13 | 24.20 |
| 84 | 3.25 | 5.18 | 7.11 | 9.04 | 10.96 | 12.89 | 14.82 | 16.75 | 18.67 | 20.60 | 22.53 |
| 78 | 3.01 | 4.80 | 6.58 | 8.36 | 10.15 | 11.93 | 13.72 | 15.50 | 17.29 | 19.07 | 20.86 |
| 72 | 2.77 | 4.41 | 6.05 | 7.69 | 9.33 | 10.98 | 12.62 | 14.26 | 15.90 | 17.54 | 19.18 |
| 66 | 2.53 | 4.03 | 5.52 | 7.02 | 8.52 | 10.02 | 11.52 | 13.01 | 14.51 | 16.01 | 17.51 |
| 60 | 2.29 | 3.64 | 5.00 | 6.35 | 7.71 | 9.06 | 10.42 | 11.77 | 13.13 | 14.48 | 15.84 |
| 54 | 2.04 | 3.26 | 4.47 | 5.68 | 6.89 | 8.10 | 9.32 | 10.53 | 11.74 | 12.95 | 14.16 |
| 48 | 1.80 | 2.87 | 3.94 | 5.01 | 6.08 | 7.15 | 8.21 | 9.28 | 10.35 | 11.42 | 12.49 |
| 42 | 1.56 | 2.49 | 3.41 | 4.34 | 5.26 | 6.19 | 7.11 | 8.04 | 8.96 | 9.89 | 10.82 |
| 36 | 1.32 | 2.10 | 2.88 | 3.67 | 4.45 | 5.23 | 6.01 | 6.80 | 7.58 | 8.36 | 9.14 |
| 30 | 1.08 | 1.72 | 2.36 | 3.00 | 3.63 | 4.27 | 4.91 | 5.55 | 6.19 | 6.83 | 7.47 |
| 24 | .84 | 1.33 | 1.83 | 2.32 | 2.82 | 3.32 | 3.81 | 4.31 | 4.80 | 5.30 | 5.79 |
| 18 | .60 | .95 | 1.30 | 1.65 | 2.01 | 2.36 | 2.71 | 3.06 | 3.42 | 3.77 | 4.12 |
| 12 | .35 | .56 | .77 | .98 | 1.19 | 1.40 | 1.61 | 1.82 | 2.03 | 2.24 | 2.45 |
| | 12 | 18 | 24 | 30 | 36 | 42 | 48 | 54 | 60 | 66 | 72 |

Width