



METAL FORM MANUFACTURING CO., INC  
 5960 WEST WASHINGTON STREET  
 PHOENIX, ARIZONA 85043  
 TELEPHONE: 602-233-1211 FAX: 602-233-2033  
 WEBSITE ADDRESS: WWW.MFMCA.COM

# Model MFL-18 Fabricated Stationary Louver 2" Deep Plain Blade

## Specifications

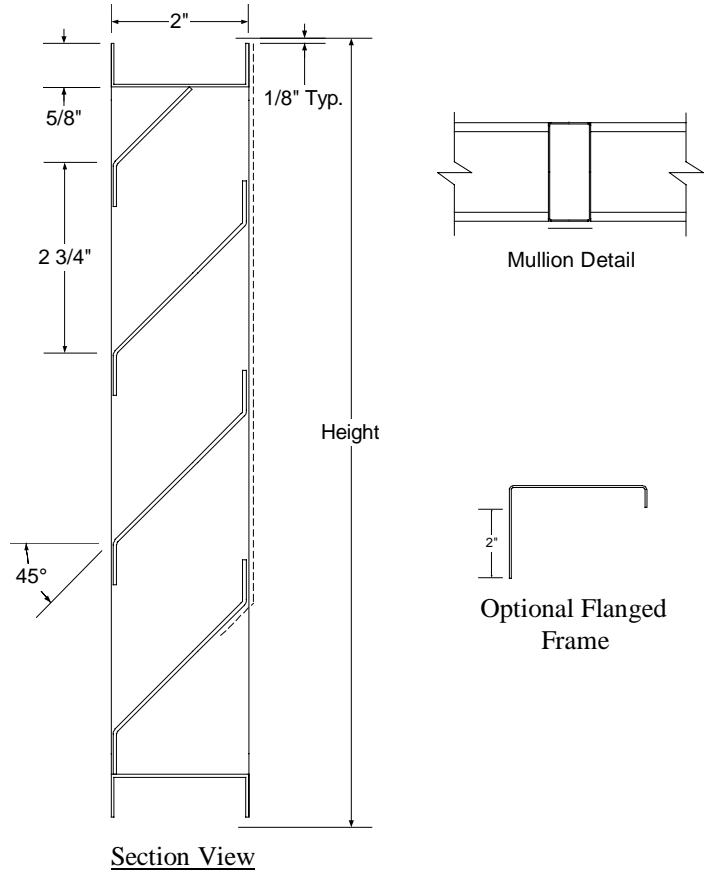
**Frame:** 18ga. galvanized steel channel frame.  
**Blades:** 18ga. galvanized steel.  
**Screen:** 1/2" x 1/2" x 19ga. galvanized steel.  
**Finish:** Standard mill.  
**Minimum size:** 8"w x 8"h.  
**Maximum size:** 72"w x 96"h.  
**size:** Multiple section - unlimited size.

## Options

- Flanged frame.
- Architectural mullions.
- Sill extension.
- Sleeves.
- Sub frame (requires flanged louver).
- Screens - Many variations of screens are available, consult factory.
- Finishes - Many types of finishes are available, consult factory.
- Other options available, consult factory.

## Notes

1. Width x height are nominal opening dimensions. Unless specified otherwise, units will be constructed 1/4" undersize.
2. Metal Form reserves the right to improve design or change specifications at any time.



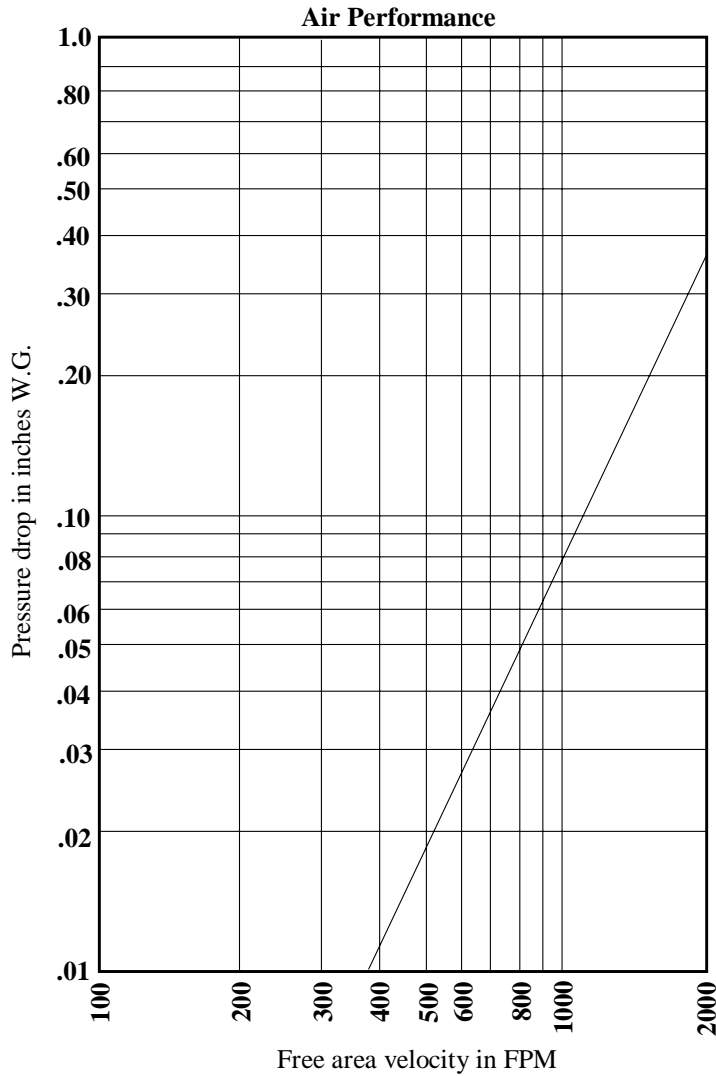
Tag	Qty.	Width	Height	No. of Panels (W x H)	Options	Finishes/Specify	Remarks

**Project:** \_\_\_\_\_  
**Architect:** \_\_\_\_\_  
**Engineer:** \_\_\_\_\_  
**Contractor:** \_\_\_\_\_

©1998 Metal Form Manufacturing Co., Inc.  
 Form No. L-1898

Refer to back page for performance data.

# Model MFL-18 Performance Data



Test unit size 48" x 48"  
Graph is corrected to standard air density .075 lbs. per cubic feet.  
Ratings do not include the effects of a bird screen.

**Free Area Chart - Sq. Ft.**

<b>96</b>	3.57	5.61	7.65	9.69	11.73	13.77	15.81	17.85	19.89	21.93	23.97
<b>90</b>	3.32	5.22	7.11	9.01	10.91	12.81	14.70	16.60	18.50	20.39	22.29
<b>84</b>	3.11	4.88	6.66	8.43	10.20	11.98	13.75	15.53	17.30	19.08	20.85
<b>78</b>	2.89	4.54	6.20	7.85	9.50	11.15	12.81	14.46	16.11	17.76	19.42
<b>72</b>	2.66	4.18	5.70	7.22	8.74	10.27	11.79	13.31	14.83	16.35	17.87
<b>66</b>	2.41	3.79	5.17	6.54	7.92	9.30	10.68	12.05	13.43	14.81	16.19
<b>60</b>	2.16	3.39	4.63	5.86	7.10	8.33	9.57	10.80	12.04	13.27	14.50
<b>54</b>	1.93	3.03	4.13	5.23	6.33	7.44	8.54	9.64	10.74	11.84	12.94
<b>48</b>	1.71	2.69	3.67	4.65	5.63	6.61	7.59	8.57	9.55	10.53	11.51
<b>42</b>	1.50	2.36	3.21	4.07	4.93	5.78	6.64	7.50	8.35	9.21	10.07
<b>36</b>	1.25	1.97	2.68	3.40	4.11	4.83	5.54	6.25	6.97	7.68	8.40
<b>30</b>	1.00	1.57	2.14	2.72	3.29	3.86	4.43	5.00	5.57	6.14	6.72
<b>24</b>	.75	1.18	1.61	2.03	2.46	2.89	3.32	3.75	4.18	4.61	5.03
<b>18</b>	.56	.84	1.15	1.45	1.76	2.07	2.37	2.68	2.98	3.29	3.60
<b>12</b>	.32	.50	.69	.87	1.06	1.24	1.42	1.61	1.79	1.97	2.16
	<b>12</b>	<b>18</b>	<b>24</b>	<b>30</b>	<b>36</b>	<b>42</b>	<b>48</b>	<b>54</b>	<b>60</b>	<b>66</b>	<b>72</b>

**Width**