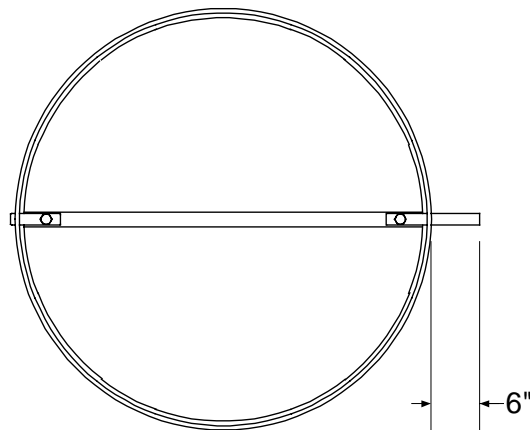


Model MFD-36SB Single Blade Round Control Damper Steel

Specifications

- Frame:** 14ga. Galvanized rolled steel, 4" thru 7".
 10ga. Galvanized rolled steel, 8" thru 20".
 3/16" x 2" H.R. bar, 21" and above.
- Blades:** 16ga. Galvanized steel with v-groove reinforcement.
- Bearings:** Self-lubricating bronze.
- Axles:** Corrosion resistant 1/2" die-cast zinc.
- Control Rod:** 1/2" dia. x 6" long plated steel.
- Max. Velocity:** 2000 FPM @ 4" w.g.
- Minimum size:** 4" Diameter.
- Maximum size:** 24" Diameter.

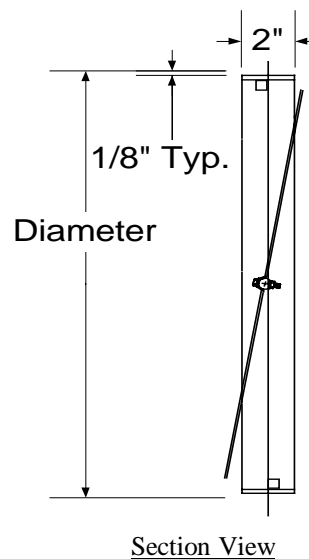


Options

- Flanged frame.
- Operators.
- Sleeves.
- Various materials and gauges are available, consult factory.
- Other options are available, consult factory.

Notes

1. Diameter is nominal opening dimension.
 Unless specified otherwise, units will be constructed 1/4" undersize.
2. Metal Form reserves the right to improve design or change specifications at any time.



Tag	Qty.	Dia.	Options	Finishes/Specify	Remarks

Project: _____
Architect: _____
Engineer: _____
Contractor: _____