

Sound Attenuator

No. 775MB-07

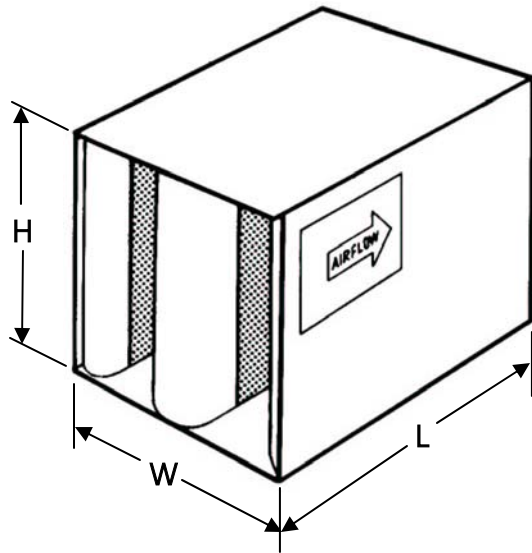


Commercial Acoustics
5960 W. WASHINGTON STREET
PHOENIX, ARIZONA 85043-3523
(602) 233-2322 FAX 233-2033

A DIVISION OF METAL FORM MANUFACTURING

ENGINEERING DATA SHEET

Environmentally Friendly



MODEL HP-LF-MB

RECTANGULAR

**No
Fiberglass
Fill**

NOMENCLATURE EXAMPLE:

WIDTH HEIGHT LENGTH MODEL
24 24 36 HP-LF-MB

Commercial Acoustics sound attenuators are engineered to achieve a maximum insertion loss and a minimum pressure drop. Commercial Acoustics sound attenuators feature airflow design for efficient aerodynamic performance. Galvanized steel construction and an acoustical fill that is an all natural material with each individual fiber having been treated, during manufacture, with an EPA registered anti-microbial agent for protection against mildew, mold, fungi, pests and for fire resistance guarantee excellent reliability and performance.

MODEL NO.	OCTAVE BANDS	(1)	(2)	(3)	(4)	(5)	(6)	(7)	(8)
	CENTER FREQUENCY (Hz)	63	125	250	500	1000	2000	4000	8000
	FACE VELOCITY, fpm	DYNAMIC INSERTION LOSS IN DECIBELS (dB)							
3HP-LF-MB	-1500	10	12	23	28	28	24	18	14
	-1000	9	12	22	27	29	23	19	14
	0	9	11	23	26	27	26	19	14
	+1000	10	11	22	24	26	25	20	15
	+1500	10	10	20	23	24	26	20	15
5HP-LF-MB	-1500	16	21	35	39	40	37	26	15
	-1000	16	18	34	39	40	36	27	16
	0	15	20	34	38	39	39	26	20
	+1000	13	17	30	36	38	39	27	19
	+1500	11	16	27	34	37	40	28	19
7HP-LF-MB	-1500	16	30	42	50	54	42	28	20
	-1000	16	28	42	48	53	43	30	20
	0	14	27	41	47	50	50	30	23
	+1000	13	22	40	47	51	51	31	24
	+1500	13	20	39	46	49	49	32	25
10HP-LF-MB	-1500	23	30	47	52	53	45	33	22
	-1000	23	30	48	59	53	55	36	22
	0	23	29	48	57	52	60	35	23
	+1000	21	27	47	51	51	59	38	24
	+1500	19	27	46	48	52	50	38	25

THESE TABLES CONTAIN BOTH FORWARD(+) AND REVERSE(-) FLOW ACOUSTIC AND AERODYNAMIC RATINGS BASED ON COMPARATIVE TEST RESULTS MEASURED IN ACCORDANCE WITH APPLICABLE PORTIONS OF ASTM E477. COPIES OF CERTAIN TEST REPORTS CAN BE FURNISHED UPON REQUEST.

Sound Attenuator

RECTANGULAR MODEL HP-LF-MB

ENGINEERING DATA

Environmentally Friendly

AIR FLOW RATINGS FOR THE 12 x 12 SIZE, SHADED, REPRESENTS BOTH CFM AND FACE VELOCITY IN fpm. USE THIS TO GET THE RATING FOR SILENCER SIZES NOT SHOWN AND FOR MULTIPLE MODULE SILENCER BANKS.

MODEL	3HP-LF-MB	0.13	0.22	0.30	0.39	0.47	0.53	0.61	0.79	0.97	1.35	1.79	2.24
	5HP-LF-MB	0.14	0.24	0.34	0.44	0.52	0.59	0.68	0.88	1.08	1.50	2.00	2.50
	7HP-LF-MB	0.15	0.25	0.36	0.47	0.55	0.62	0.72	0.93	1.14	1.59	2.12	2.65
	10HP-LF-MB	0.18	0.31	0.44	0.57	0.67	0.76	0.88	1.14	1.40	1.94	2.59	3.23
SIZE	Face Area	AIR FLOW IN CFM											
W x H													
6 x 12	0.5	227	297	354	402	438	465	500	569	630	743	858	959
6 x 24	1	454	594	707	804	875	930	1000	1138	1260	1485	1715	1917
6 x 36	1.5	681	891	1061	1206	1313	1395	1500	1707	1890	2228	2573	2876
12 x 12	1	454	594	707	804	875	930	1000	1138	1260	1485	1715	1917
12 x 24	2	908	1188	1414	1608	1750	1860	2000	2276	2520	2970	3430	3834
12 x 30	2.5	1135	1485	1768	2010	2188	2325	2500	2845	3150	3713	4288	4793
12 x 36	3	1362	1782	2121	2412	2625	2790	3000	3414	3780	4455	5145	5751
12 x 48	4	1816	2376	2828	3216	3500	3720	4000	4552	5040	5940	6860	7668
24 x 18	3	1362	1782	2121	2412	2625	2790	3000	3414	3780	4455	5145	5751
24 x 24	4	1816	2376	2828	3216	3500	3720	4000	4552	5040	5940	6860	7668
24 x 30	5	2270	2970	3535	4020	4375	4650	5000	5690	6300	7425	8575	9585
24 x 36	6	2724	3564	4242	4824	5250	5580	6000	6828	7560	8910	10290	11502
24 x 42	7	3178	4158	4949	5628	6125	6510	7000	7966	8820	10395	12005	13419
24 x 45	7.5	3405	4455	5303	6030	6563	6975	7500	8535	9450	11138	12863	14378
24 x 48	8	3632	4752	5656	6432	7000	7440	8000	9104	10080	11880	13720	15336
48 x 30	10	4540	5940	7070	8040	8750	9300	10000	11380	12600	14850	17150	19170
48 x 36	12	5448	7128	8484	9648	10500	11160	12000	13656	15120	17820	20580	23004
48 x 42	14	6356	8316	9898	11256	12250	13020	14000	15932	17640	20790	24010	26838
48 x 45	15	6810	8910	10605	12060	13125	13950	15000	17070	18900	22275	25725	28755
48 x 48	16	7264	9504	11312	12864	14000	14880	16000	18208	20160	23760	27440	30672

Helpful Equations: Face Area = (Width in inches x Height in inches) ÷ 144

Face Velocity = CFM ÷ Face Area in Sq.Ft.

$$\text{Silencer S.P. Loss} = \left(\frac{\text{Face Velocity}}{\text{Tabled Velocity}} \right)^2 \times \text{Tabled S.P. Loss}$$

STANDARD CONSTRUCTION FEATURES

Outer Casing — Solid 22GA G90 galvanized steel
 Inner Partitions — Perforated 22GA G90 galvanized steel
 Acoustical Fill — Mold resistant, all natural fiber meeting UL 723, ASTM E84
 Maximum Differential Pressure — 8 in. wc. as tested in accordance with UL 181, Section 17

Octave Band	1	2	3	4	5	6	7	8	
Frequency, Hz	63	125	250	500	1k	2k	4k	8k	
Length	Face Velocity	Self-Generated Sound Power Ratings (PWL) dB re 10 ⁻¹² WATTS							
ALL LENGTHS	+1500	60	58	57	53	51	55	52	42
	+1000	53	50	46	42	41	44	37	31
	-1000	49	47	47	48	51	54	46	32
	-1500	60	56	54	54	56	60	58	48

When adding any two decibel levels together to an accuracy of 1 dB

Difference between two dB levels	Add to the higher dB level
0 or 1 dB	3 dB
2 or 3 dB	2 dB
4 to 9 dB	1 dB
10 dB or more	0 dB

Air flow ratings shown include static regain. Therefore, if silencers are installed immediately before or after elbows, transitions, at the intake or discharge of the system, or without duct, allowance to compensate for such conditions must be included when calculating the operating static pressure loss across the silencer. Failure to make allowances for these conditions can add several velocity heads to the static pressure loss of the system. All acoustic and aerodynamic performance obtained on a 24" x 24" cross sec-

Self-Generated Sound Power, Face Area Adjustment Factors

Face Area	0.50	1	2	4	8	16	32	64	128
Adjustment Factor, dB	-9	-6	-3	0	+3	+6	+9	+12	+16