

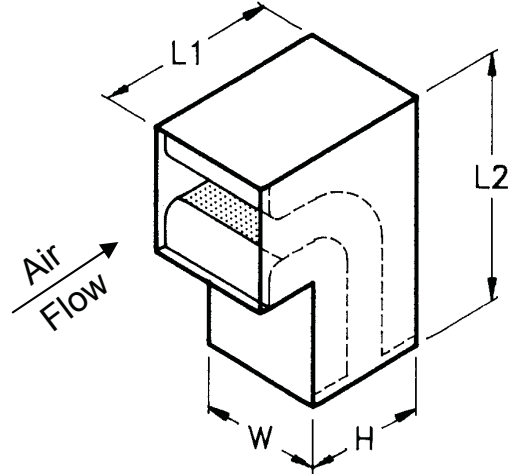
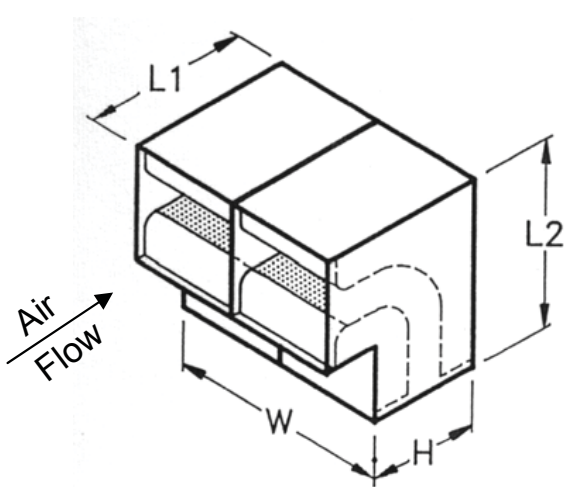
Elbow Silencer Orientations



Commercial Acoustics
 5960 W. WASHINGTON STREET
 PHOENIX, ARIZONA 85043-3523
 (602) 233-2322 FAX 233-2033

A DIVISION OF METAL FORM MANUFACTURING

Total Centerline length for vertical Elbows is equal to $L1 + L2 - H$.

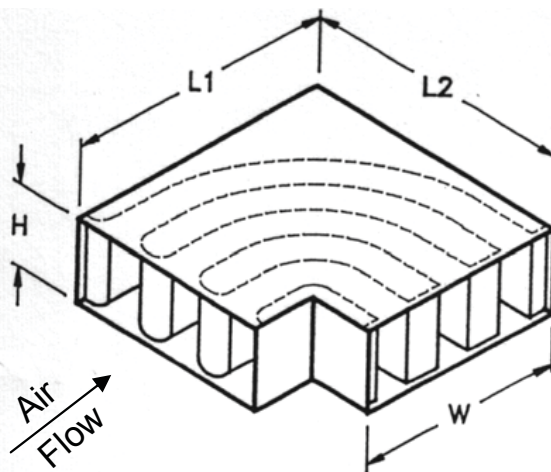


W	H	L1	L2	CL

W	H	L1	L2	CL

Note: Minimum dimension for L1 or L2 is H plus 6". Minimum CL length is H + 12".

Total Centerline length for horizontal Elbows is equal to $L1 + L2 - W$.



W	H	L1	L2	CL

Note: Minimum dimension for L1 or L2 is W plus 6". Minimum CL length is W + 12".