

D Silencer

No. 907-12



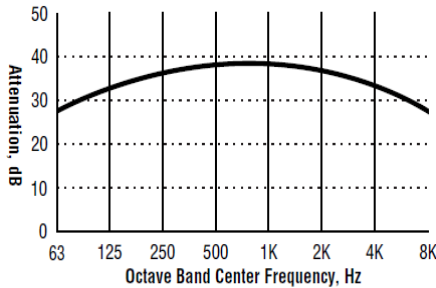
Commercial Acoustics
5960 W. WASHINGTON STREET
PHOENIX, ARIZONA 85043-3523
(602) 233-2322 FAX 233-2033

A DIVISION OF METAL FORM MANUFACTURING

ENGINEERING DATA

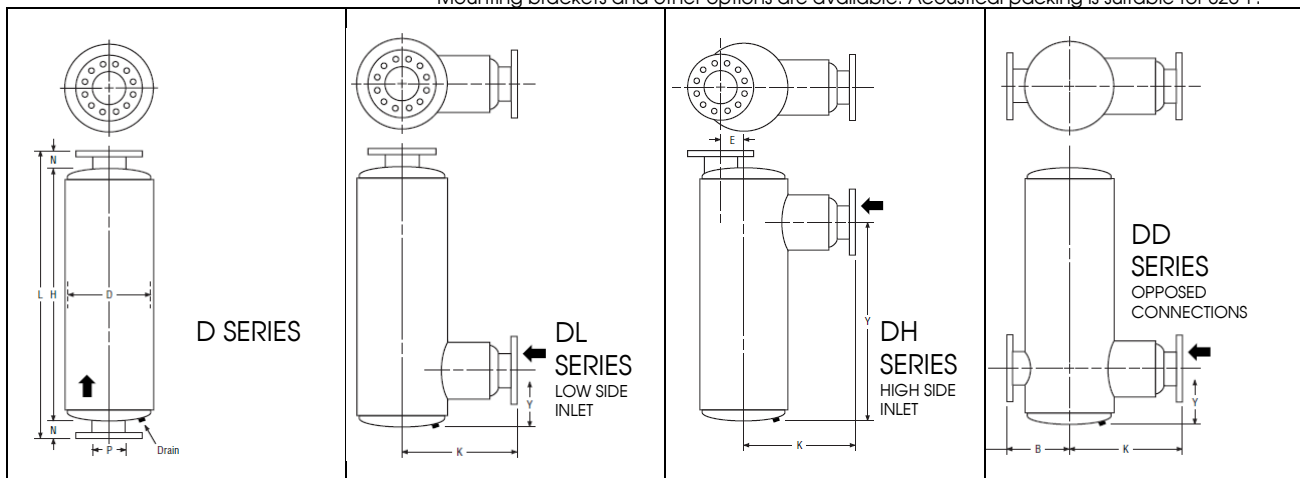
Supersedes No. 907-97

Typical Attenuation Curve



TYPE D COMBINATION CHAMBER-ABSORPTIVE TYPE DISCHARGE SILENCER

The D Series Discharge Silencer is a heavy-duty, all welded unit constructed of carbon steel sheet and plate. It provides excellent pulse control and is equipped with an acoustically treated inlet for use on critical PLV applications. Pulse control and noise attenuation provided by the D Series is the ultimate and is usually necessary for the most demanding installations. Sizes 4" and larger are equipped with flanged connections drilled to 125/150 lb. ANSI specifications. Smaller sizes are standard with male threaded pipe nipples. Exterior surfaces receive a shop coat of rust inhibitive primer and may be finished painted in the field if desired. The D Series is the basic end inlet/end outlet configuration. A low side inlet version is designated DL Series; high side inlet, DH Series; and low opposed connections, DD Series. The four types are fundamentally alike and performance is identical. Mounting brackets and other options are available. Acoustical packing is suitable for 325°F.



DIMENSIONS IN INCHES, WEIGHT IN POUNDS

P (SIZE)	D	L	N	H	K			B	E	Y						WGT.
					DL	DH	DD			DL		DD		DH		
										MIN.	MAX.	MIN.	MAX.	MIN.	MAX.	
1 1 1/2 2	8	33	3	27	9	-	-	-	-	FIXED AT 6						25
2 1/2 3 3 1/2	10 10 12	34 46 52	3 3 3	28 40 46	10 10 11	-	-	-	-	FIXED AT 7 FIXED AT 7 FIXED AT 8						35 40 60
4 5 6	14 16 18	53 65 72	3 3 3	47 59 66	14 1/2 16 1/2 20 1/5	16 18 22 1/2	14 1/2 16 1/2 20 1/2	10 11 12	4 4 1/2 5	8 9 10	20 26 1/2 30	8 9 10	14 16 1/2 20	33 43 1/2 46	39 51 56	80 130 160
8 10 12	22 26 30	97 122 135	3 1/2 3 1/2 3 1/2	90 115 128	24 1/2 28 1/2 35	28 1/2 34 42	26 32 39 1/2	14 1/2 16 1/2 18 1/2	6 7 8	12 14 15 1/2	45 60 1/2 66	12 14 15 1/2	26 37 1/2 39	65 79 1/2 91	79 103 114 1/2	410 600 900
14 16 18	36 42 48	161 181 188	3 1/2 3 1/2 3 1/2	154 174 181	40 1/2 44 1/2 47	47 1/2 52 1/2 54	45 1/2 50 52 1/2	21 1/2 24 1/2 27 1/2	10 1/2 12 1/2 14 1/2	17 1/2 19 1/2 21 1/2	78 89 1/2 95	17 1/2 19 1/2 21 1/2	46 52 1/2 53 1/2	110 122 1/2 129 1/2	138 155 1/2 161 1/2	1,400 1,800 2,550
20 22 24	48 54 54	202 204 239	4 1/2 4 1/2 4 1/2	193 195 230	53 1/2 59 1/2 66	65 72 81 1/2	63 1/2 70 79 1/2	28 1/2 31 1/2 31 1/2	13 1/2 15 1/2 14 1/2	22 1/2 24 1/2 25 1/2	100 100 123	22 1/2 24 1/2 25 1/2	57 58 73 1/2	137 140 159 1/2	172 1/2 172 1/2 207 1/2	2,750 3,300 3,850
26 28 30	60 66 72	259 279 304	4 1/2 4 1/2 4 1/2	250 270 295	72 78 78	87 93 1/2 95 1/2	85 91 94	34 1/2 37 1/2 40 1/2	16 1/2 18 1/2 20 1/2	27 31 32	130 140 158	27 31 32	76 81 93	177 192 205	556 242 266	5,000 6,950 8,100

NOTE: Dimensions and weights are nominal and may vary slightly with production models. Request certified drawings of specific models for exact dimensions

WE RESERVE THE RIGHT TO IMPROVE DESIGN AND SPECIFICATIONS AT ANY TIME WITHOUT NOTICE. ©COPYRIGHT, 2012