

# C Silencer

No. 909-12



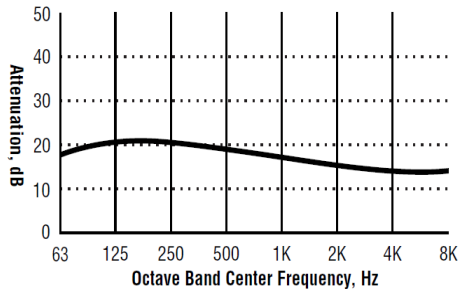
**Commercial Acoustics**  
5960 W. WASHINGTON STREET  
PHOENIX, ARIZONA 85043-3523  
(602) 233-2322 FAX 233-2033

A DIVISION OF METAL FORM MANUFACTURING

## ENGINEERING DATA

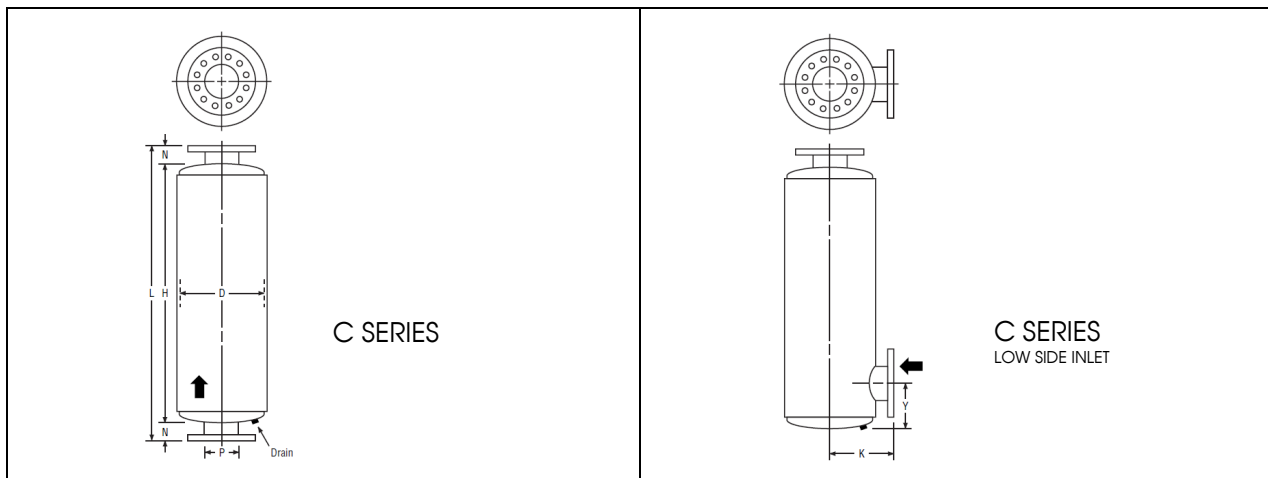
Supersedes No. 909-97

### Typical Attenuation Curve



### TYPE C CHAMBER TYPE DISCHARGE SILENCER

The C Series Discharge Silencer is a heavy-duty, all welded unit constructed of carbon steel sheet and plate. Individually it provides pulse control and adequate silencing for sub-critical PLV applications where the higher performance of the ST Series is not warranted. However, the C Series is primarily intended as a companion silencer for use in series with the WBM Blower Mounted Silencer. Sizes 8" and larger are equipped with flanged connections drilled to 125/150 lb. ANSI specifications. Exterior surfaces receive a shop coat of rust inhibitive primer and may be finished painted in the field if desired. The C Series is the basic end inlet/end outlet configuration. A low side inlet version is designated CL Series. The two types are fundamentally alike and the performance is identical. Mounting brackets and other options are available. Acoustical packing is suitable for 325°F.



### DIMENSIONS IN INCHES, WEIGHT IN POUNDS

P (SIZE)	D	L	N	H	K	Y		WGT.
						MIN.	MAX.	
1 1 1/2 2								
2 1/2 3 3 1/2	SIZES 1" - 6": USE ST SERIES							
4 5 6								
8 10 12	22 26 30	61 74 87	3 1/2 3 1/2 3 1/2	54 67 80	14 1/2 16 1/2 18 1/2	9 11 12 1/2	21 27 34	250 360 550
14 16 18	30 36 42	99 113 126	3 1/2 3 1/2 3 1/2	92 106 119	18 1/2 21 1/2 24 1/2	13 1/2 15 1/2 17 1/2	40 48 55 1/2	650 900 1,200
20 22 24	42 58 54	140 153 167	4 1/2 4 1/2 4 1/2	131 144 158	25 1/2 28 1/2 31 1/2	19 20 1/2 22 1/2	60 1/2 66 1/2 72	1,350 1,950 2,500
26 28 30	54 60 66	179 193 206	4 1/2 4 1/2 4 1/2	158 184 197	31 1/2 34 1/2 37 1/2	22 1/2 25 1/2 27 1/2	72 87 95	2,500 3,400 4,650

NOTE: Dimensions and weights are nominal and may vary slightly with production models. Request certified drawings of specific models for exact dimensions

**WE RESERVE THE RIGHT TO IMPROVE DESIGN AND SPECIFICATIONS AT ANY TIME WITHOUT NOTICE. ©COPYRIGHT, 2012**