

# Sound Attenuator

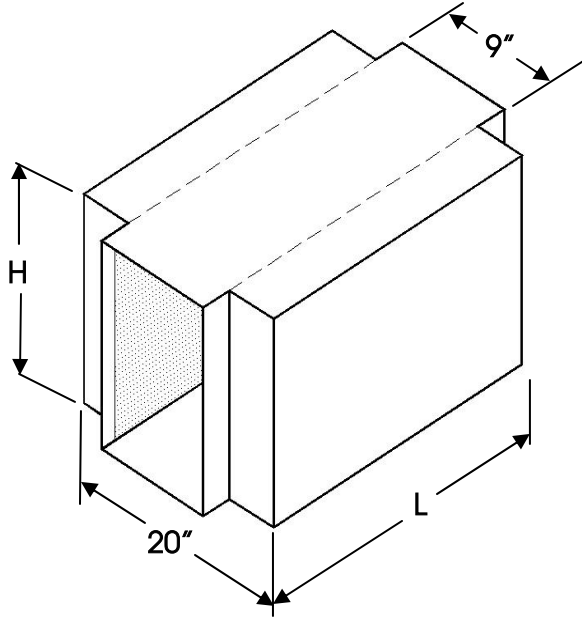
No. 230-07



Commercial Acoustics  
5960 W. WASHINGTON STREET  
PHOENIX, ARIZONA 85043-3523  
(602) 233-2322 FAX 233-2033

A DIVISION OF METAL FORM MANUFACTURING

## ENGINEERING DATA SHEET



## MODEL 9XNPL

RECTANGULAR

### NOMENCLATURE EXAMPLE:

WIDTH HEIGHT LENGTH MODEL  
**9 12 36 9XNPL**

Commercial Acoustics model NPL sound attenuators are engineered to achieve a maximum insertion loss with virtually No Pressure Loss. NPL sound attenuators feature galvanized steel construction and an acoustical filled extended width outer casing that does not add additional static pressure loss to the system with negligible Self-Generated Sound Power levels. NPL sound attenuators are well suited for applications with high air stream velocities and for systems which can not afford additional static pressure losses.

MODEL NO.	OCTAVE BANDS	(1)	(2)	(3)	(4)	(5)	(6)	(7)	(8)
	CENTER FREQUENCY (Hz)	63	125	250	500	1000	2000	4000	8000
	FACE VELOCITY, fpm	DYNAMIC INSERTION LOSS IN DECIBELS (dB)							
<b>3-9XNPL</b>	-2000	2	4	9	13	12	8	4	3
	-1000	2	4	9	13	12	8	5	4
	0	2	4	9	13	12	7	5	4
	+1000	2	4	9	13	12	7	6	4
	+2000	2	3	8	13	12	7	7	2
<b>5-9XNPL</b>	-2000	3	8	16	23	22	12	6	8
	-1000	3	7	16	23	22	12	6	7
	0	3	7	16	23	22	12	8	6
	+1000	2	6	16	23	22	12	7	6
	+2000	2	7	16	24	22	12	7	5
<b>7-9XNPL</b>	-2000	4	12	25	32	30	17	10	9
	-1000	5	12	24	32	30	17	10	9
	0	5	11	24	32	30	17	10	9
	+1000	5	11	24	32	30	17	10	8
	+2000	4	10	23	32	30	17	9	7
<b>10-9XNPL</b>	-2000	6	15	31	45	40	24	13	12
	-1000	6	15	30	44	40	25	13	13
	0	6	15	31	43	38	25	14	12
	+1000	6	14	31	43	38	24	14	10
	+2000	6	14	30	43	36	23	14	11

THESE TABLES CONTAIN BOTH FORWARD(+) AND REVERSE(-) FLOW ACOUSTIC AND AERODYNAMIC RATINGS BASED ON COMPARATIVE TEST RESULTS MEASURED IN ACCORDANCE WITH APPLICABLE PORTIONS OF ASTM E477. COPIES OF CERTAIN TEST REPORTS CAN BE FURNISHED UPON REQUEST.

WE RESERVE THE RIGHT TO IMPROVE DESIGN AND SPECIFICATIONS AT ANY TIME WITHOUT NOTICE. ©COPYRIGHT, 2013