

# Sound Attenuator

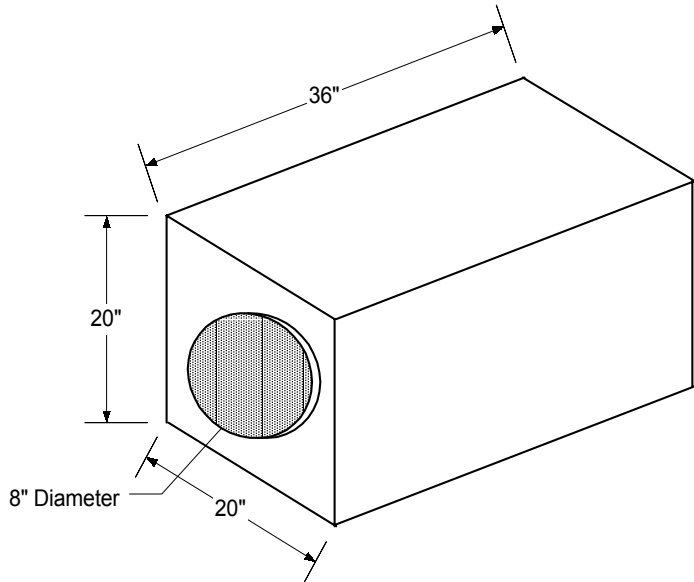
No. 810-03



**Commercial Acoustics**  
5960 W. WASHINGTON STREET  
PHOENIX, ARIZONA 85043-3523  
(602) 233-2322 FAX 233-2033

A DIVISION OF METAL FORM MANUFACTURING

## CERTIFIED ENGINEERING DATA SHEET



## MODEL 8CNF-HP

CIRCULAR NO-FILL HIGH PRESSURE LOSS

### NOMENCLATURE EXAMPLE:

INLET	LENGTH	MODEL
8	36	8CNF-HP

Commercial Acoustics sound attenuators are engineered to achieve a maximum insertion loss and a minimum pressure drop. Commercial Acoustics sound attenuators feature airfoil design for efficient aerodynamic performance, as well as superior acoustical materials and total galvanized steel construction guaranteeing excellent reliability and performance. DIL is achieved by use of tuned resonators. No acoustical fill is used.

### TABLE I

OCTAVE BAND	(1)	(2)	(3)	(4)	(5)	(6)	(7)	(8)
CENTER FREQUENCY, Hz	63	125	250	500	1000	2000	4000	8000
SILENCER FACE VELOCITY, fpm	DYNAMIC INSERTION LOSS IN DECIBELS							
-2000	4	14	19	21	9	11	8	8
-1000	4	13	17	17	7	11	9	9
0	3	10	14	15	7	11	9	9
+1000	4	12	15	16	7	11	9	9
+2000	4	12	17	20	8	11	9	9

### TABLE II

OCTAVE BAND	(1)	(2)	(3)	(4)	(5)	(6)	(7)	(8)
CENTER FREQUENCY, Hz	63	125	250	500	1000	2000	4000	8000
SILENCER FACE VELOCITY, fpm	SELF-NOISE SOUND POWER LEVELS, dB re: 10 <sup>-12</sup> WATTS							
-2000	66*	55	51	53	53	52	46	34
-1000	62*	53*	43	40	40	33	27*	29*
+1000	66*	52*	41	38	35	28	26*	29*
+2000	66*	54*	48	44	49	50	43	31*

\* Denotes data that has reached ambient levels in the test room or is determined by instrument limitations. Actual levels are less than or equal to the level shown.

Static Pressure Loss, Model **8CNF-HP** = 0.03 in.wc. @ 1000 fpm face velocity

Actual fpm = Actual CFM ÷ 0.349 square feet.

For intermediate velocities:  $\left(\frac{\text{Actual Velocity}}{1000}\right)^2 \times 0.03 \text{ in. wc.} = \text{Actual Pressure Loss}$

THESE TABLES CONTAIN BOTH FORWARD(+) AND REVERSE(-) FLOW ACOUSTIC AND AERODYNAMIC RATINGS WHICH ARE THE TEST RESULTS FROM AN INDEPENDENT NVLAP CERTIFIED LABORATORY MEASURED IN ACCORDANCE WITH ASTM E477-99. COPIES OF THESE TEST REPORTS CAN BE FURNISHED UPON REQUEST.