

Sound Attenuator

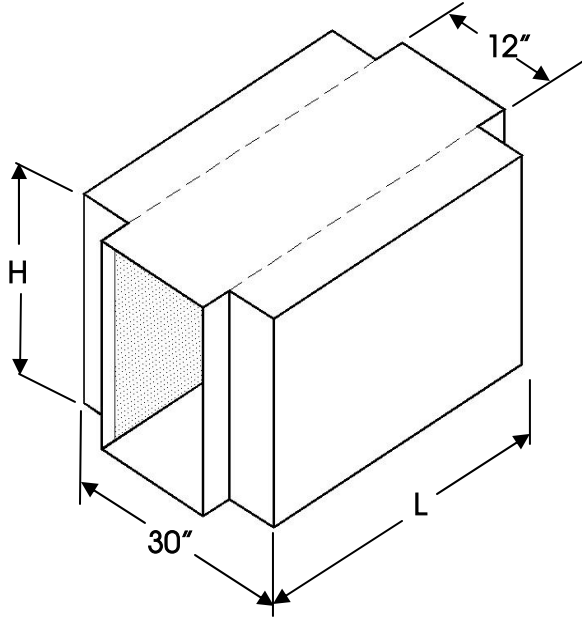
No. 235-07



Commercial Acoustics
5960 W. WASHINGTON STREET
PHOENIX, ARIZONA 85043-3523
(602) 233-2322 FAX 233-2033

A DIVISION OF METAL FORM MANUFACTURING

ENGINEERING DATA SHEET



MODEL 12XNPL

RECTANGULAR

NOMENCLATURE EXAMPLE:

WIDTH	HEIGHT	LENGTH	MODEL
12	12	36	12XNPL

Commercial Acoustics model NPL sound attenuators are engineered to achieve a maximum insertion loss with virtually No Pressure Loss. NPL sound attenuators feature galvanized steel construction and an acoustical filled extended width outer casing that does not add additional static pressure loss to the system with negligible Self-Generated Sound Power levels. NPL sound attenuators are well suited for applications with high air stream velocities and for systems which can not afford additional static pressure losses.

MODEL NO.	OCTAVE BANDS	(1)	(2)	(3)	(4)	(5)	(6)	(7)	(8)
	CENTER FREQUENCY (Hz)	63	125	250	500	1000	2000	4000	8000
	FACE VELOCITY, fpm	DYNAMIC INSERTION LOSS IN DECIBELS (dB)							
3-12XNPL	-2000	3	6	9	11	11	5	4	3
	-1000	3	6	9	12	11	5	4	3
	0	3	5	9	12	10	5	4	3
	+1000	3	5	9	12	10	4	4	3
	+2000	3	5	9	12	10	5	4	3
5-12XNPL	-2000	5	10	18	21	19	10	5	6
	-1000	4	10	17	21	18	10	6	6
	0	4	10	17	21	18	10	6	6
	+1000	3	10	17	21	18	10	7	6
	+2000	3	11	16	21	18	10	6	5
7-12XNPL	-2000	6	14	25	29	25	12	8	8
	-1000	6	14	24	28	25	12	8	8
	0	6	14	24	28	25	12	8	7
	+1000	6	14	24	27	25	12	8	7
	+2000	6	15	23	27	25	12	8	7
10-12XNPL	-2000	11	21	34	39	35	18	12	13
	-1000	10	20	34	38	35	18	11	13
	0	9	20	34	38	34	17	10	12
	+1000	9	19	33	37	33	16	10	10
	+2000	9	19	32	36	32	15	10	11

THESE TABLES CONTAIN BOTH FORWARD(+) AND REVERSE(-) FLOW ACOUSTIC AND AERODYNAMIC RATINGS BASED ON COMPARATIVE TEST RESULTS MEASURED IN ACCORDANCE WITH APPLICABLE PORTIONS OF ASTM E477. COPIES OF CERTAIN TEST REPORTS CAN BE FURNISHED UPON REQUEST.

WE RESERVE THE RIGHT TO IMPROVE DESIGN AND SPECIFICATIONS AT ANY TIME WITHOUT NOTICE. ©COPYRIGHT, 2013