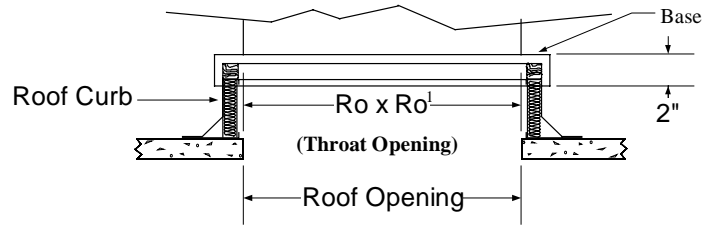
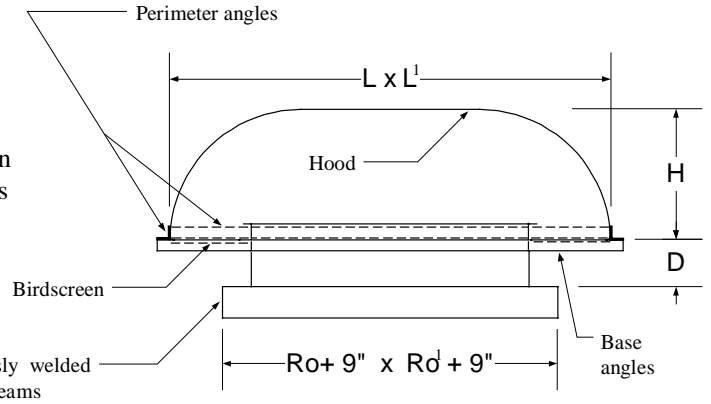




**Specifications**

- Hood:** Galvanized steel, reinforced with angle bracing when required.
- Base:** 18ga. galvanized steel with continuous welded seams.
- Screen:** 1/2" x 1/2" x 19ga. galvanized steel mesh.
- Support angles:** 1" x 1" x 1/8" angles on units with less than 4 square feet. 1 1/2" x 1 1/2" x 1/8" on units over 4 square feet.
- Finish:** Standard mill.
- Minimum size:** 12"Ro x 12"Ro<sup>1</sup>.



Curb O.D. = Ro + 8" and Ro<sup>1</sup> + 8"  
 ( See note 2)

**Options**

- Screens - Many variations are available.
- Insulation on underside of ventilator hood.
- Anti-condensate coating.
- Aluminum construction.
- Hinged top.
- Filter racks (specify depth).
- Filters (specify depth).
- Finishes.

**Notes**

1. Ro x Ro<sup>1</sup> is throat opening dimensions.
2. 1/2" full perimeter clearance between curb and ventilator base is intentional for roofing materials. Ventilator base depth may be adjusted upon request for increased clearances or to fit an existing roof curb.
3. Refer to Metal Form Bulletin no. AGV-90 for additional dimensioning data and performance characteristics.
4. Metal Form reserves the right to improve design or change specifications at any time.

Tag	Qty.	Width	Length	No. of Sections	Options	Finishes/Specify	Remarks

**Project:** \_\_\_\_\_  
**Architect:** \_\_\_\_\_  
**Engineer:** \_\_\_\_\_  
**Contractor:** \_\_\_\_\_