



METAL FORM MANUFACTURING CO., INC
 5960 WEST WASHINGTON STREET
 PHOENIX, ARIZONA 85043
 TELEPHONE: 602-233-1211 FAX: 602-233-2033
 WEBSITE ADDRESS: WWW.MFMCA.COM

Model MFS-42HD Heavy Duty Shutter

Extruded Aluminum Blade

Specifications

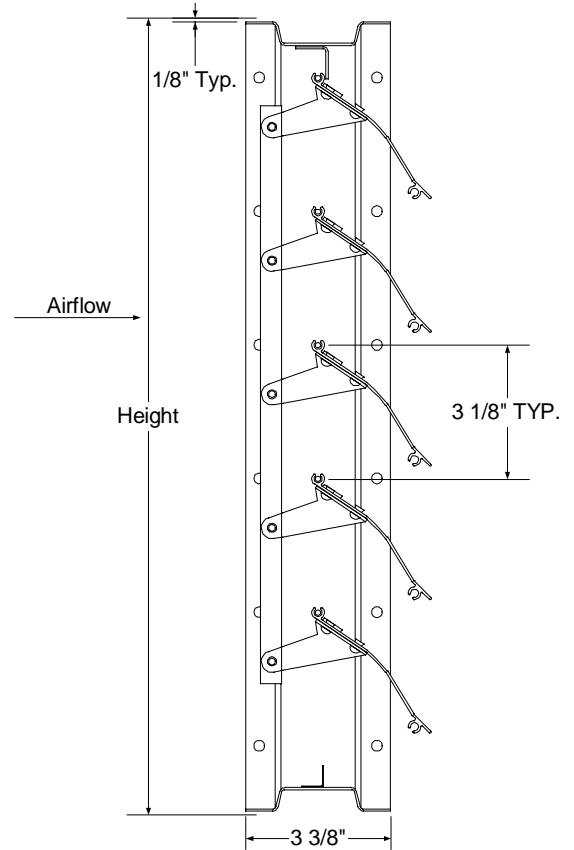
Frame: 14ga. Galvanized steel hat channel.
Blades: .055" 6063-T5 Extruded aluminum blades.
Bearings: Brass inserts.
Axles: 3/16" Diameter plated steel.
Linkage: Plated steel brackets, 1/2" x 1/8" aluminum tie bar, nylon ratchet fasteners.
Seals: PVC.
Max. Velocity: 2500 FPM
Minimum size: 4" x 4"
Maximum size: 48"w x 72"h.
size: Multiple section - unlimited size.

Options

- Flanged frame.
- Sleeves.
- Other options are available consult factory.

Notes

1. Width x height are nominal opening dimensions. Unless specified otherwise, units will be constructed 1/4" undersize.
2. Metal Form reserves the right to improve design or change specifications at any time.



Tag	Qty.	Width	Height	No. of Panels (W x H)	Options	Finishes/Specify	Remarks

Project: _____
Architect: _____
Engineer: _____
Contractor: _____