



METAL FORM MANUFACTURING CO., INC
 5960 WEST WASHINGTON STREET
 PHOENIX, ARIZONA 85043
 TELEPHONE: 602-233-1211 FAX: 602-233-2033
 WEBSITE ADDRESS: WWW.MFMCA.COM

Model MFLA-4-36 Fabricated Acoustical Louver 4" Deep Plain Blade

Specifications

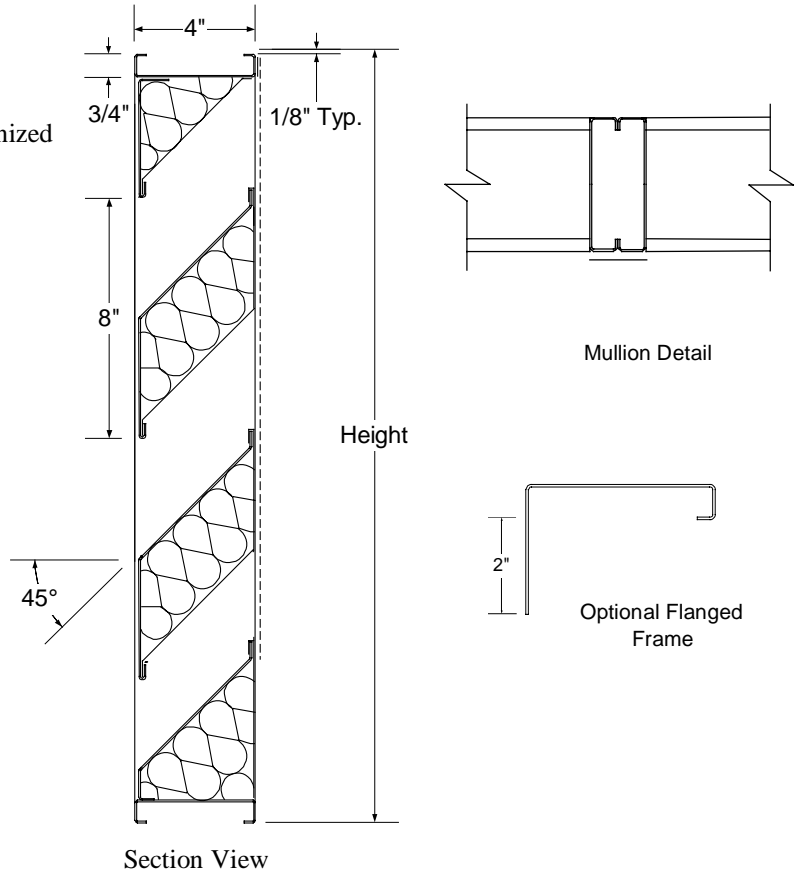
- Frame:** 18ga. galvanized channel frame.
- Blades:** 18ga. galvanized blade / 22ga. galvanized perforated liner.
- Insulation:** 2 lb. density fiberglass.
- Screen:** 1/2" x 1/2" x 19ga galvanized mesh.
- Finish:** Standard mill.
- Minimum size:** 12"w x 18"h.
- Maximum size:** 72"w x 96"h.
Multiple section - unlimited size.

Options

- Flanged frame.
- Sill extension.
- Sleeves.
- Sub frame (requires flanged louver).
- Screens - Many variations of screens are available, consult factory.
- Finishes - Many types of finishes are available, consult factory.
- Other options are available, consult factory.

Notes

1. Width x height are nominal opening dimensions. Unless specified otherwise, units will be constructed 1/4" undersize.
2. Metal Form reserves the right to improve design or change specifications at any time.



Octave Band/Frequency.Hz	1/63	2/125	3/250	4/500	5/1k	6/2k	7/4k	8/8k
Transmission Loss. db	5	4	5	7	8	12	13	14
Noise Reduction.db	11	10	10	11	14	18	21	20

Tag	Qty.	Width	Height	No. of Panels (W x H)	Options	Finishes/Specify	Remarks

Project: _____
Architect: _____
Engineer: _____
Contractor: _____

©1998 Metal Form Manufacturing Co., Inc.
 Form No. LA-4-3698

Refer to back page for performance data.

