

Specifications

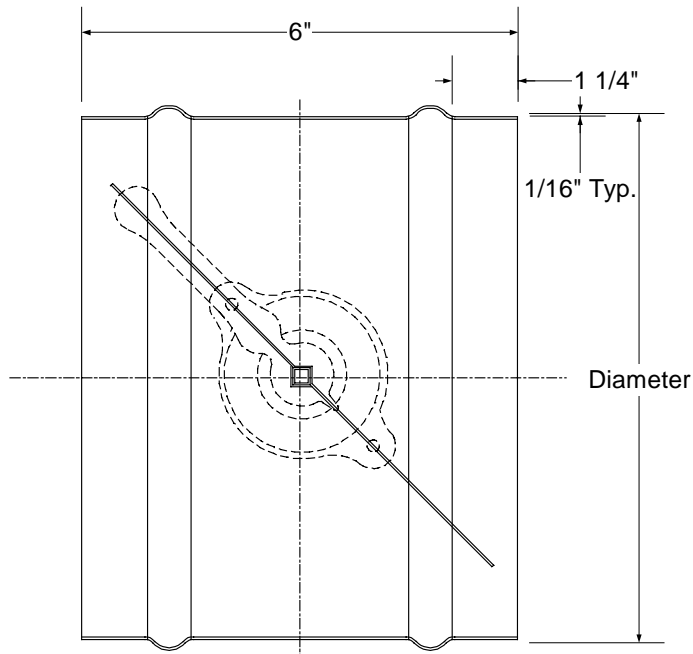
- Frame:** 20ga. Galvanized roll formed steel.
Blades: 20ga. Galvanized steel.
Axles: 1/4" x 1/4" plated steel.
Control Shaft: 1/4" square x 2" long plated steel.
Quadrant: Heavy gauge plated steel with locking wingnut.
Max. Velocity: 1500 FPM @ 1" w.g.
Minimum size: 4" Diameter.
Maximum size: 12"

Options

- No options available.

Notes

1. Diameters are nominal duct opening dimensions. Unless specified otherwise, units will be constructed 1/8" undersize.
2. Metal Form reserves the right to improve design or change specifications at any time.



Section View

Tag	Qty.	Dia.	Remarks

Project: _____
Architect: _____
Engineer: _____
Contractor: _____